

RURIS[®]

Producător motoutilaje

RURIS IMPEX SRL

Adresa: Calea Severinului Bl 317b, 200233, Craiova, Dolj

Telefon: (+40) 351 464 632

Fax: (+40) 351 464 633

Email: office@ruris.ro; vanzari@ruris.ro; service@ruris.ro

**RO
EN**

CATALOG PIESE DE SCHIMB - SPARE PARTS CATALOGUE



MOTOSAPE HOBBY



MOTOSAPE PROF



MOTOBURGHIE



MOTOCOSITORI



APARATE STROPT



MOTOPOMPE



MOTOFERASTRAIE



MASINI TUNIS GAZON



MOTOCOASE DE IIMAR



GENERATOARE



MOTOFARFEC



RURIS[®]
power for nature

**MOTOSAPA PROFESIONALA R652H
PROFESSIONAL TILLER R652H**

**Cod / Code
8102652**



Acest document este proprietatea RURIS IMPEX S.R.L. Craiova, si nu poate fi reprodus, utilizat sau facut public fara autorizatia sa scrisa.

This material is proprietary to RURIS IMPEX S.R.L. Craiova, and is not to be reproduced, used or disclosed except in accordance with written authorization from RURIS.

www.ruris.ro



Imaginile prezentate în această publicație sunt numai orientative.
Fabricantul poate efectua modificări ale produsului descris aici din motive tehnice sau comerciale, respectiv, fără a fi obligatorie și actualizarea imediată a acestei publicații.

*The pictures presented in this publication are meant as orientation only
The manufactured may carry out modifications to the product described herein out of technical or commercial reasons respectively, without any compulsory and immediate up-dating of this publication.*

INTRODUCERE - FOREWORD

Va multumim ca ati achizitionat un produs RURIS !

Dorim sa va ajutam sa obtineti cele mai bune rezultate de la noua dvs. Motocoasa KR201 si sa rezolvati orice problema tehnica in conditii de securitate maxima.

Acest catalog contine informatii privind modalitatea de comanda a pieselor de schimb. Daca aveti probleme tehnice, sau aveti intrebari va rugam sa consultati personalul tehnic al unui service autorizat RURIS.

Toate informatiile din acest catalog au la baza ultimele informatii disponibile la data publicarii acestuia.

RURIS isi rezerva dreptul de a face orice modificare in orice moment fara aviz si fara nici o obligatie.

Nici o parte din acest catalog nu poate fi reprodusa fara acordul scris al RURIS.

Thank you for purchasing a RURIS product!

We want to help you to get the best results from your new Motormower KR201 and to repair it safely.

This manual contains information on how to order spare parts. Please read it carefully before operating the product. If a problem should arise, or if you have any questions, consult an authorized RURIS servicing dealer.

All information in this publication is based on the latest product information available at the time of printing.

RURIS Ltd. reserves the right to make changes at any time without notice and without incurring any obligation.

No part of this publication may be reproduced without written permission of RURIS.



ATENTIE !

Intretinerea incorecta, sau esecul corectarii oricarei probleme inainte de utilizare, poate cauza o functionare defectuasa a produsului care va poate rani serios sau ucide. Intotdeauna urmati intocmai instructiunile si recomandarile de intretinere - pentru orice problema tehnica adresati-va unui service autorizat RURIS.



WARNING !

Improper maintenance, or failure to correct a problem before operation, can cause a malfunction in which you can be seriously hurt or killed. Always follow the procedures and maintenance recommendations and for any technical problems consult an authorized RURIS servicing dealer.

CUPRINS - INDEX

Recomandari generale	4	General recommendations	4
Ansamblu general.....	6	General Overview.....	6
Cutie de viteze.....	7	Gear box	7
Ambreiaj	14	Clutch	14
Suport coarne	15	Horns support	15
Coarne	17	Horns assembly.....	17
Transmisie	19	Transmission	19
Carena – Suport carena	21	Cover – Cover support	21

Cum comandati piesele de schimb

Când comandati o piesa de schimb, specificati numarul piesei, numele acesteia, cantitatea necesara, si deasemenea specificati codul si seria masinii. Acest Catalog piese de schimb descrie atât piesele standard cât si echipamentele si piesele optionale. Pentru a comanda o piesa, vă rugăm sa contactati cel mai apropiat dealer RURIS.

Desene si tabele piese de schimb

Când deschideti acest Catalog, veti gasi o serie de ilustratii tehnice pentru fiecare grup de piese. Fiecare piesa din grup are indicat un numar index unic. In pagina urmatoare, componentele grupului sunt listate in ordinea numarului index din desen.

Codul si denumirea piesei cât si cantitatea necesara pentru formularea comenzii este specificata pentru fiecare piesa individual.

In fiecare ilustratie tehnică veti gasi urmatoarele informatii (vezi Fig.1):

- A. Desen in explozie cu numarul de ref. al pieselor;
- B. Denumirea grupului;
- C. Codul grupului;
- D. Cod de identificare planşa / versiune utilaj;
- E. Data si nr. reviziei;
- F. Codul utilajului;
- G. Simbolul grafic al grupului;
- H. Numarul de referinta al piesei;
- I. Trimitere catre alta planşa;
- J. Linie cu informatii pentru o piesa;
- K. Ref. este numarul de referinta din desen;
- L. Numele piesei;
- M. Cantitatea recomandata;
- N. Cod intern specific producatorului;
- O. Codul modular al piesei;

How to order Spare parts

When ordering a spare part, specify the part number, part name, quantity required, and also specify your machine model code and machine serial number.

This Parts Book describes not only standard items but also optional equipment and attachments. To order a part, please contact your nearest RURIS distributor.

Drawings and Spare parts tables

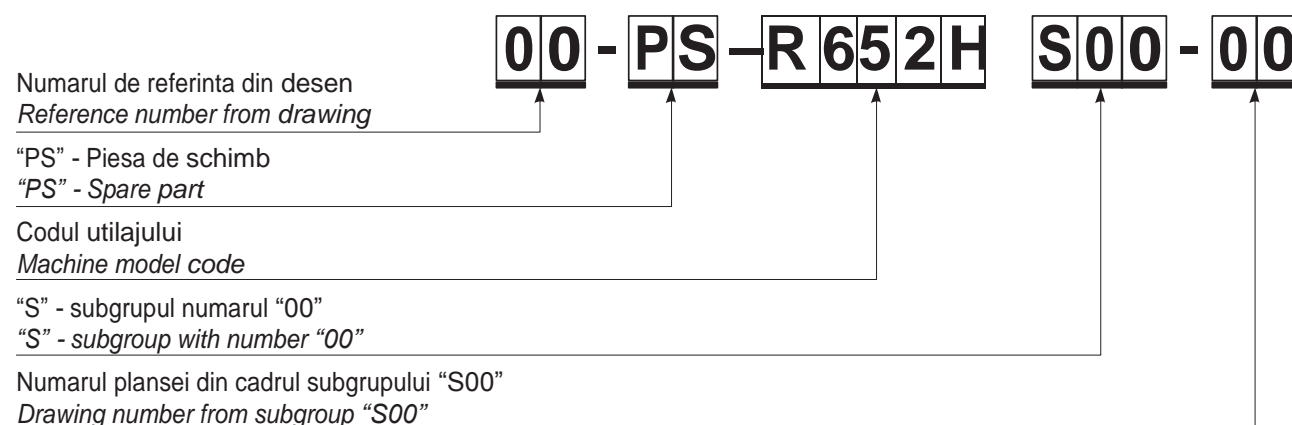
When you open this Parts Book, you will find an illustration for any spare parts group. Each individual part in the group is given an index number. On the next page, the component parts of the group are listed in the order of the index numbers shown on the illustration page. The part number, part name, and quantity required are given for each part.


On any illustration page you must find (see Fig.1):

- A. Exploded drawing with index number of parts;
- B. Group denomination;
- C. Group index number;
- D. Identification of drawing / machine version;
- E. Edition date and no. ;
- F. Machine model code;
- G. Group icon;
- H. Reference number of parts;
- I. Reference to another illustration page;
- J. Informations line for one spare part;
- K. Pos. is the reference number of part;
- L. Part name;
- M. Quantity required;
- N. Producer internal code;
- O. Part modular key code.

CODUL MODULAR al pieselor de schimb

MODULAR KEY CODE of spare parts





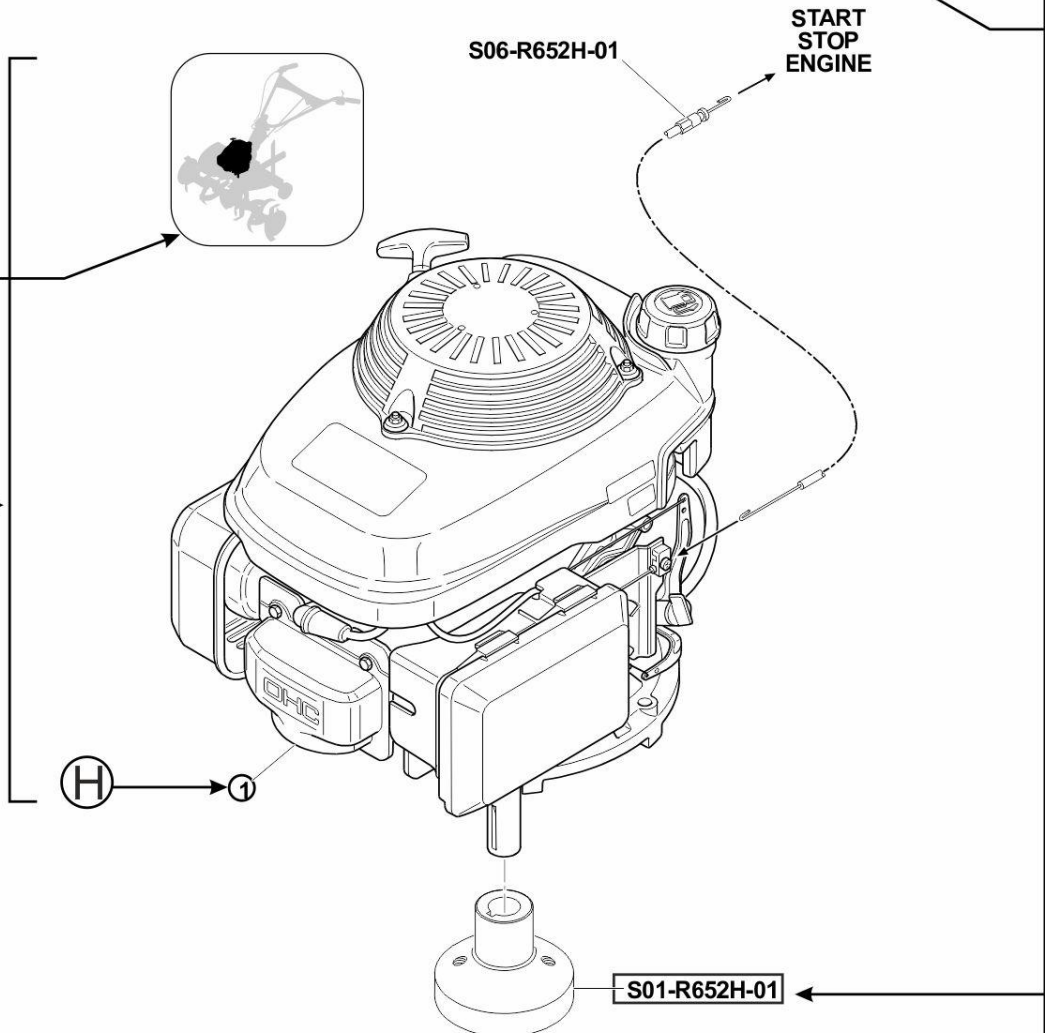
MOTOSAPA PROFESIONALA R652H
PROFESSIONAL TILLER R652H

S08-R652H-01

**Motor
Engine**

**Cod/ Code
8102652**

**Rev.01
2013**



S06-R652H-01 START
STOP
ENGINE

S01-R652H-01

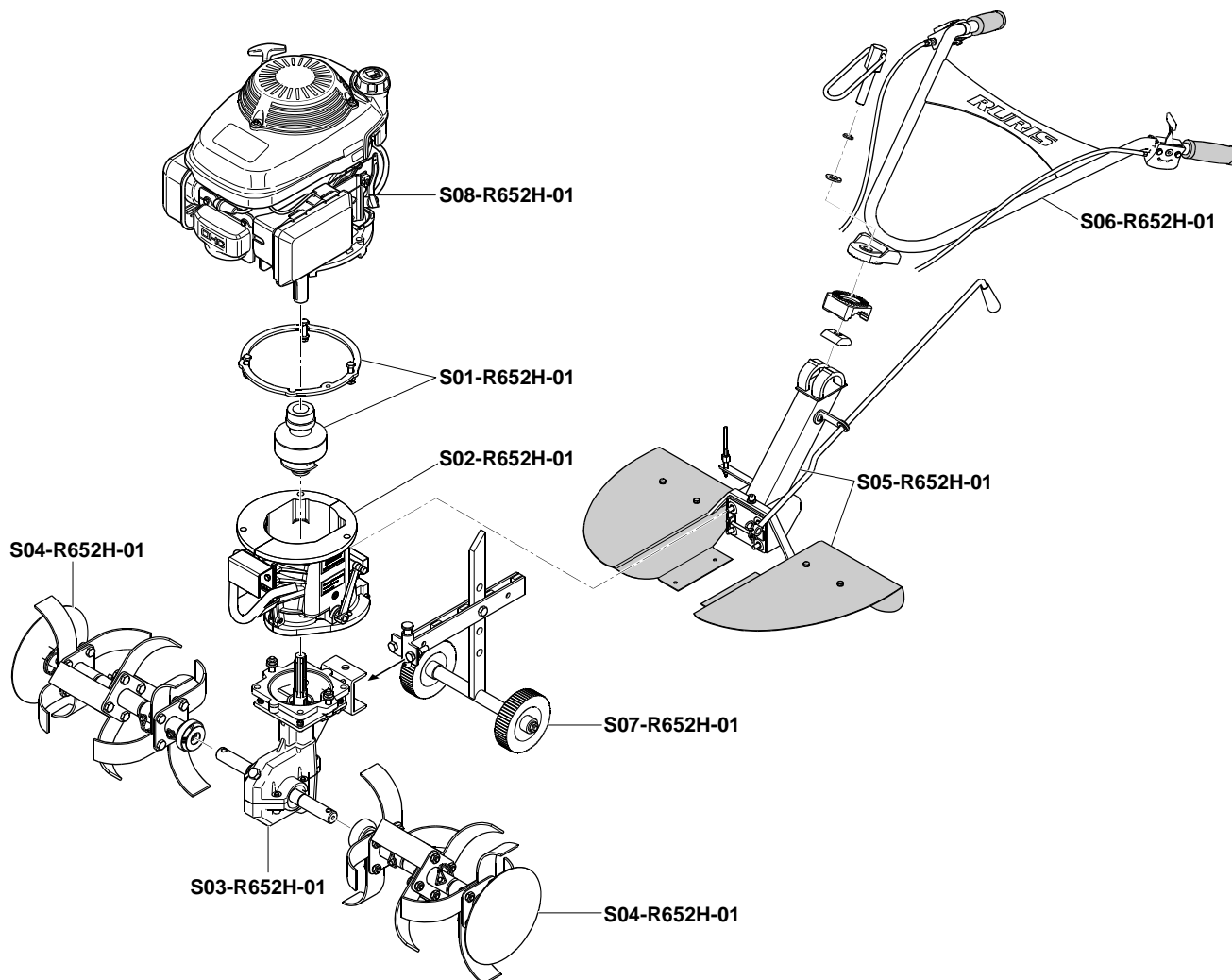
Ref	Descriere	Description	Cant. Qty.	Cod intern Internal code	Cod piesa Part number
1	Motor Honda 4 timpi 6,5CP	Honda engine 4-stroke 6,5HP	1	Honda GCV190	01-PS-R652H-S08-1

RURIS Producator motoutilaje

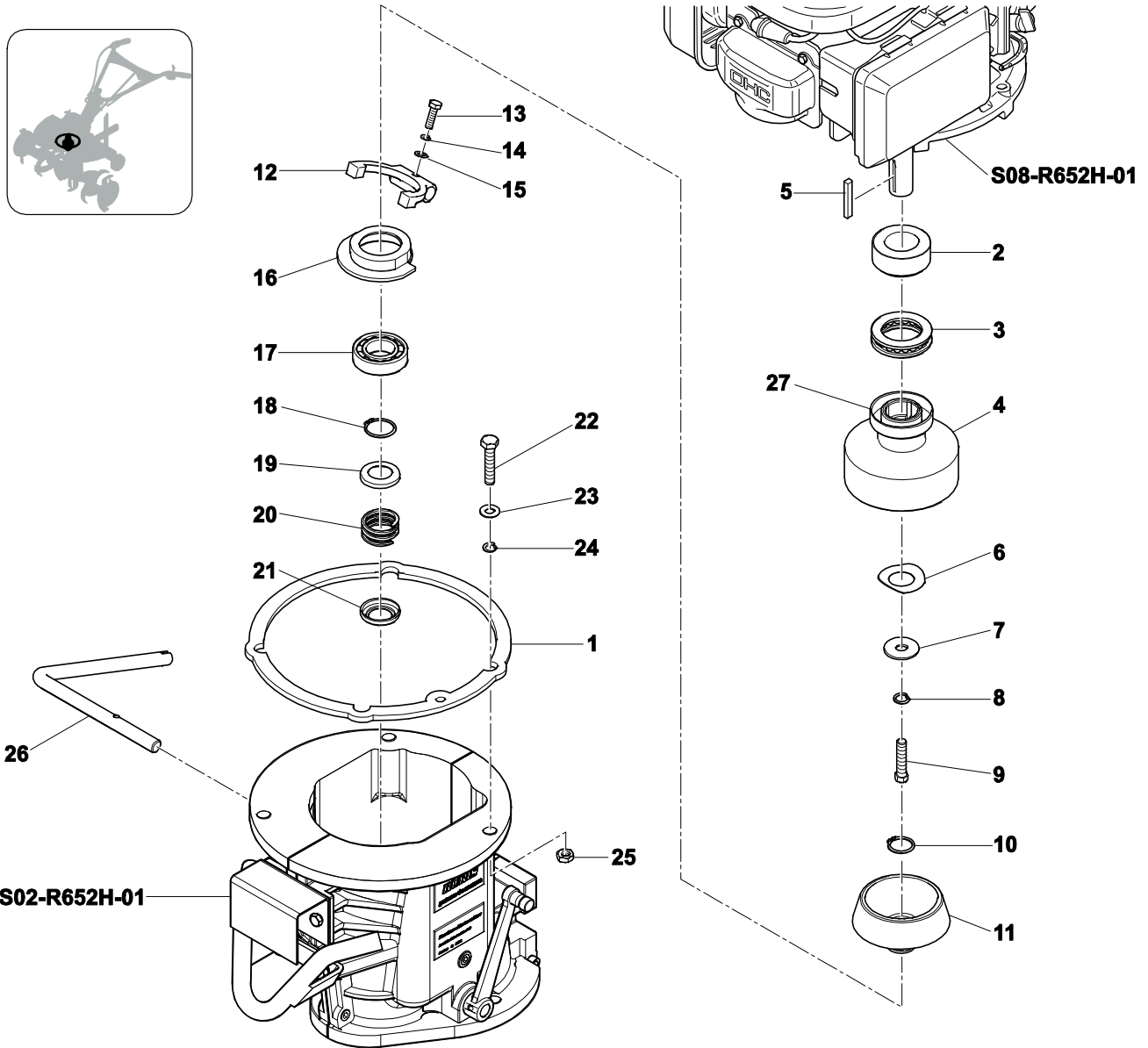
Catalog Piese de Schimb - Spare Parts Catalogue

Pg. 18

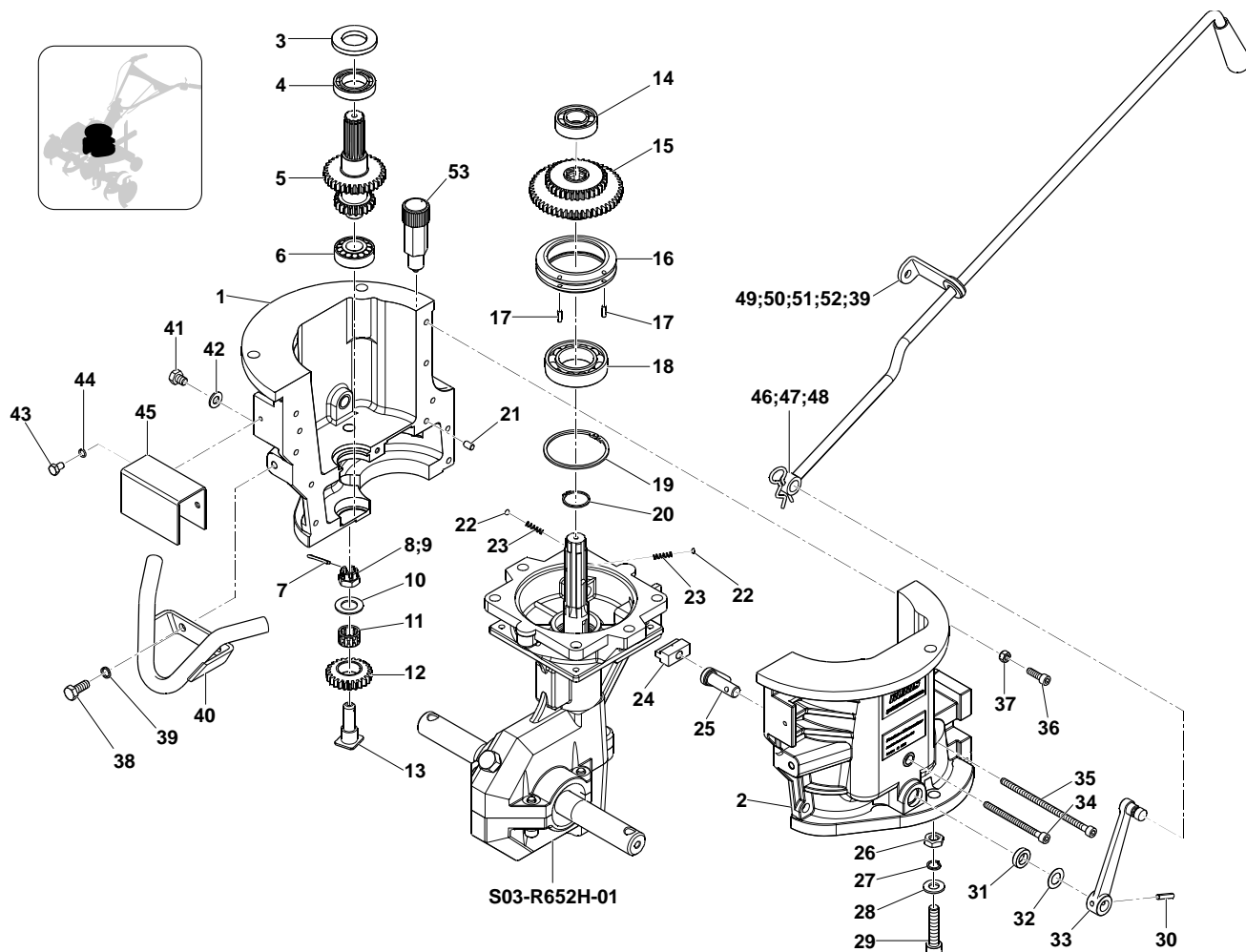
Fig.1



Ref	Descriere	Description	Cant. Qty.	Cod intern Internal code	Cod piesa Part number
1	Ansamblu Ambreiaj	Clutch assembly	1		S01-R652H-01
2	Ansamblu Cutie de viteze	Gearbox assembly	1		S02-R652H-01
3	Ansamblu Reductor	Reducer assembly	1		S03-R652H-01
4	Ansamblu Freze	Soil-Mills assembly	1		S04-R652H-01
5	Ansamblu Suport coarne + Aripi	Horns support + Wings	1		S05-R652H-01
6	Ansamblu Coarne	Horns assembly	1		S06-R652H-01
7	Accesorii	Accessories	1		S07-R652H-01
8	Motor	Engine	1		S08-R652H-01



Ref	Descriere	Description	Cant. Qty.	Cod intern Internal code	Cod piesa Part number
1	Garnitura motor	Engine gasket	1	PSR550650-66	01-PS-R652H-S01-1
2	Bucsa distantier	Spacer bush	1	M6,5-1.13	02-PS-R652H-S01-1
3	Rulment 51107	Bearing 51107	1	comert	03-PS-R652H-S01-1
4	Ambreiaj	Clutch	1	M5,5-9.1.0A	04-PS-R652H-S01-1
5	Pana paralela	Paralel key	1	PSR550650-33	05-PS-R652H-S01-1
6	Saiba speciala	Special washer	1	colaborare	06-PS-R652H-S01-1
7	Saiba plata 10x30	Flat washer 10x30	1	colaborare	07-PS-R652H-S01-1
8	Saiba Grower N10	Spring washer N10	1	comert	08-PS-R652H-S01-1
9	Surub 3/8 UNF	Bolt 3/8 UNF	1	PSR550650-27	09-PS-R652H-S01-1
10	Zegher arbore Ø20	Outer snap ring Ø20	1	comert	10-PS-R652H-S01-1
11	Con frictiune	Friction cone	1	PSR550650-21	11-PS-R652H-S01-1
12	Furca	Fork	1	PSR550650-20	12-PS-R652H-S01-1
13	Surub M6x20	Bolt M6x20	1	comert	13-PS-R652H-S01-1
14	Saiba Grower N6	Spring washer N6	1	comert	14-PS-R652H-S01-1
15	Saiba plata A6	Flat washer A6	1	comert	15-PS-R652H-S01-1
16	Caseta rulment	Bearing box	1	PSR550650-19	16-PS-R652H-S01-1
17	Rulment 6005-2RS	Bearing 6005-2RS	1	comert	17-PS-R652H-S01-1
18	Zegher arbore Ø25	Outer snap ring Ø25	1	comert	18-PS-R652H-S01-1
19	Capac arc superior	Upper spring cap	1	PSR550650-16	19-PS-R652H-S01-1
20	Arc	Spring	1	PSR550650-15	20-PS-R652H-S01-1
21	Capac arc inferior	Lower spring cap	1	PSR550650-14	21-PS-R652H-S01-1
22	Surub M8x40	Bolt M8x40	3	comert	22-PS-R652H-S01-1
23	Saiba plata A8	Flat washer A8	3	comert	23-PS-R652H-S01-1
24	Saiba Grower N8	Spring washer N8	3	comert	24-PS-R652H-S01-1
25	Piulita M8	Nut M8	3	comert	25-PS-R652H-S01-1
26	Maneta ambreiaj	Clutch lever	1	PSR550650-22	26-PS-R652H-S01-1
27	Caseta rulment	Bearing box	1	PSR550650-35	27-PS-R652H-S01-1



Ref	Descriere	Description	Cant. Qty.	Cod intern Internal code	Cod piesa Part number
1	Semicarcasa II	Half-case II	1	M6,5-1.2	01-PS-R652H-S02-1
2	Semicarcasa I	Half-case I	1	M6,5-1.1	02-PS-R652H-S02-1
3	Simering 25x45x5	Sealant 25x45x5	1	comert	03-PS-R652H-S02-1
4	Rulment 61905	Bearing 61905	1	comert	04-PS-R652H-S02-1
5	Ax danturat	Gear shaft	1	M6,5-1.4	05-PS-R652H-S02-1
6	Rulment conic 30203 A	Bevel bearing 30203 A	1	comert	06-PS-R652H-S02-1
7	Agrafa Ø2,5	Clip Ø2,5	1	comert	07-PS-R652H-S02-1
8	Piulita crenelata M12	Notched nut M12	1	comert	08-PS-R652H-S02-1
9	Saiba plata A12	Flat washer A12	2	comert	09-PS-R652H-S02-1
10	Saiba protectie	Washer	1	M6,5-1.17	10-PS-R652H-S02-1



MOTOSAPA PROFESIONALA R652H
PROFESSIONAL TILLER R652H

S02-R652H-01

**Ansamblu Cutie viteze
Gearbox Assembly**

**Cod / Code
8102652**

**Rev.01
2013**

Ref	Descriere	Description	Cant. Qty.	Cod intern Internal code	Cod piesa Part number
11	Rulment K16x22x12	Bearing K16x22x12	1	comert	11-PS-R652H-S02-1
12	Roata dintata	Gear wheel	1	M6,5-1.7	12-PS-R652H-S02-1
13	Surub special	Special bolt	1	M6,5-1.18	13-PS-R652H-S02-1
14	Rulment 6004-2RS	Bearing 6004-2RS	1	comert	14-PS-R652H-S02-1
15	Roata baladoare	Mobile gear wheel	1	M6,5-1.5A	15-PS-R652H-S02-1
16	Caseta rulment	Bearing box	1	M6,5-1.11.1	16-PS-R652H-S02-1
17	Bolt	Bolt	2	M6,5-1.11.2	17-PS-R652H-S02-1
18	Rulment 6007-2RS	Bearing 6007-2RS	1	comert	18-PS-R652H-S02-1
19	Zegher alezaj Ø62	Inner snap ring Ø62	1	comert	19-PS-R652H-S02-1
20	Zegher arbore Ø35	Outer snap ring Ø35	1	comert	20-PS-R652H-S02-1
21	Bolt centrare	Guide bolt	2	M6,5-1.3	21-PS-R652H-S02-1
22	Bila Ø5,5	Ball Ø5,5	4	comert	22-PS-R652H-S02-1
23	Arc	Spring	2	M6,5-1.12	23-PS-R652H-S02-1
24	Patina	Drive part	1	M6,5-1.15	24-PS-R652H-S02-1
25	Furca	Fork	1	M6,5-1.16	25-PS-R652H-S02-1
26	Piulita M10	Nut M10	2	comert	26-PS-R652H-S02-1
27	Saiba Grower N10	Spring washer N10	2	comert	08-PS-R652H-S01-1
28	Saiba plata A10	Flat washer A10	2	comert	28-PS-R652H-S02-1
29	Surub imbus M10x45	Imbus head bolt M10x45	2	comert	29-PS-R652H-S02-1
30	Stift elastic Ø5x20	Spring pin Ø5x20	1	comert	30-PS-R652H-S02-1
31	Simering 12x20x5	Sealant 12x20x5	1	comert	31-PS-R652H-S02-1
32	Saiba protectie	Protective washer	1	M6,5-1.19	32-PS-R652H-S02-1
33	Maneta	Lever	1	M6,5-1.20	33-PS-R652H-S02-1
34	Surub imbus M6x80	Imbus head bolt M6x80	1	comert	34-PS-R652H-S02-1
35	Surub imbus M6x120	Imbus head bolt M6x120	1	comert	35-PS-R652H-S02-1
36	Surub imbus M6x20	Imbus head botl M6x20	7	comert	36-PS-R652H-S02-1
37	Piulita autobloc. M6	Self-block nut M6	8	comert	37-PS-R652H-S02-1
38	Surub M8x20	Bolt M8x20	2	comert	38-PS-R652H-S02-1
39	Saiba grower N8	Spring washer N8	3	comert	24-PS-R652H-S02-1
40	Aparatoare	Handle	1	M6,5-15.0	40-PS-R652H-S01-1
41	Surub M8x10	Bolt M8x10	1	comert	41-PS-R652H-S02-1



MOTOSAPA PROFESIONALĂ R652H
PROFESSIONAL TILLER R652H

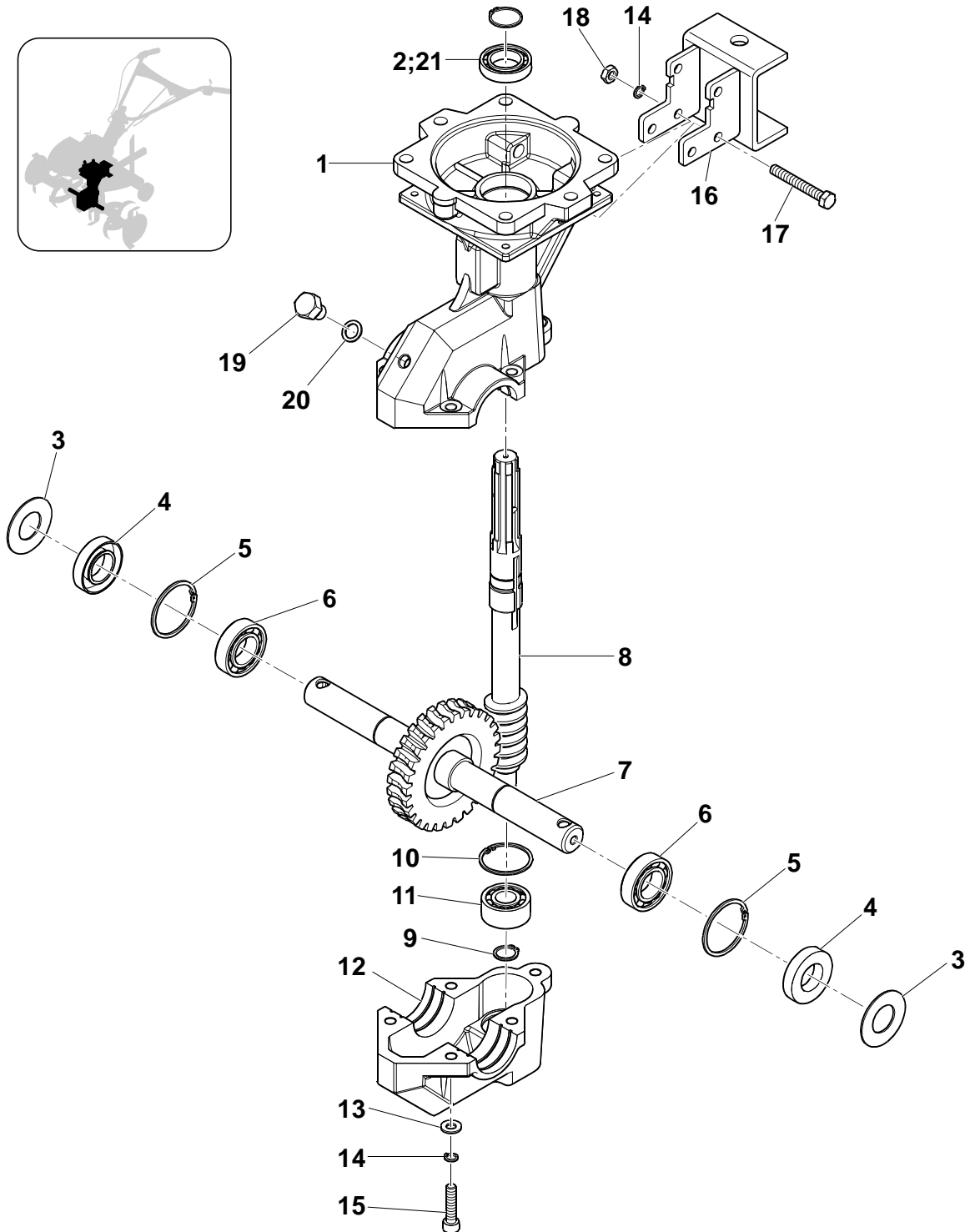
S02-R652H-01

Ansamblu Cutie viteze
Gearbox Assembly

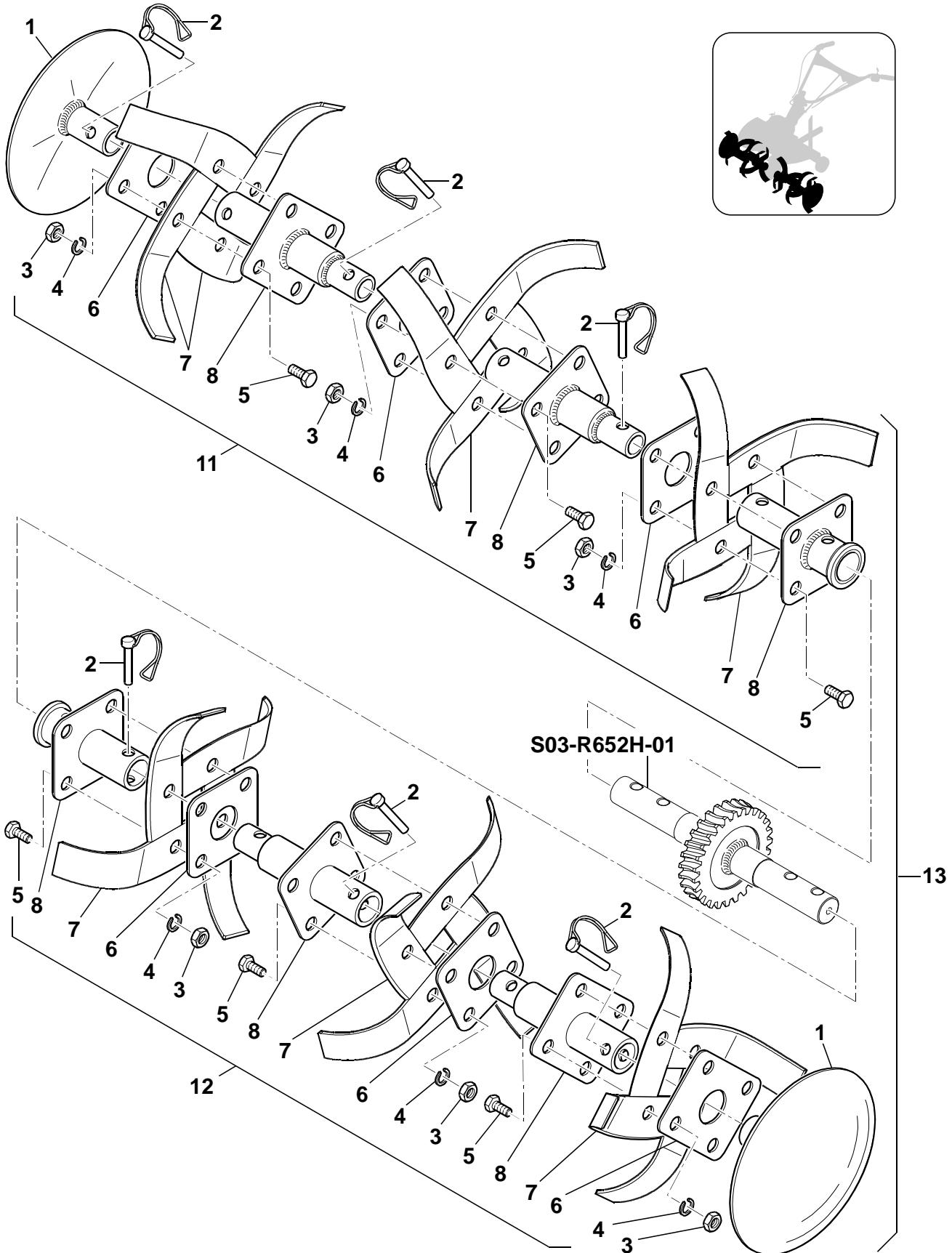
Cod / Code
8102652

Rev.01
2013

Ref	Descriere	Description	Cant. Qty.	Cod intern Internal code	Cod piesa Part number
42	Saiba plata A8	Flat washer A8	1	comert	23-PS-R652H-S01-1
43	Surub M6x10	Bolt M6x10	2	comert	43-PS-R652H-S02-1
44	Saiba Grower N6	Spring washer N6	2	comert	14-PS-R652H-S01-1
45	Suport eticheta	Label support	1	M6,5-2.2	45-PS-R652H-S02-1
46	Agrafa Ø3,5	Clip Ø3,5	1	comert	46-PS-R652H-S02-1
47	Tija sudata	Welded lever	1	M6,5-8.0	47-PS-R652H-S02-1
48	Manson	Grip handle	1	M6,5-1.26	48-PS-R652H-S02-1
49	Piesa ghidare	Guide part	1	M6,5-16.1	49-PS-R652H-S02-1
50	Garnitura	gasket	1	M6,5-16.2	50-PS-R652H-S02-1
51	Surub M8x65	Bolt M8x65	1	comert	51-PS-R652H-S02-1
52	Piulita M8	Nut M8	1	comert	25-PS-R652H-S01-1
53	Supapa aerisire	Valve	1	M6,5-1.25.0	53-PS-R652H-S02-1



Ref	Descriere	Description	Cant. Qty.	Cod intern Internal code	Cod piesa Part number
1	Carcasa reductor	Reducer housing	1	PSR550-39A4A	01-PS-R652H-S03-1
2	Rulment 61905-2RS	Bearing 61905-2RS	1	comert	04-PS-R652H-S02-1
3	Saiba 49x25x1,5	Washer 49x25x1,5	2	PSR550650-12	03-PS-R652H-S03-1
4	Simering 25x47x7	Sealant 25x47x7	2	comert	04-PS-R652H-S03-1
5	Zegher alezaj Ø47	Inner snap ring Ø47	2	comert	05-PS-R652H-S03-1
6	Rulment 6005-2RS	Bearing 6005-2RS	2	comert	17-PS-R652H-S01-1
7	Roata melcata	Worm wheel	1	PSR550650-42	07-PS-R652H-S03-1
8	Ax melcat	Worm shaft	1	PSR550650-08	08-PS-R652H-S03-1
9	Zegher arbore Ø17	Outer snap ring Ø17	1	comert	09-PS-R652H-S03-1
10	Zegher alezaj Ø40	Inner snap ring Ø40	1	comert	10-PS-R652H-S03-1
11	Rulment 3203	Bearing 3203	1	comert	11-PS-R652H-S03-1
12	Capac carcasa	Housing cover	1	M5,5-1.1.2	12-PS-R652H-S03-1
13	Saiba plata A8	Flat washer A8	5	comert	23-PS-R652H-S01-1
14	Saiba grower N8	Spring washer N8	5	comert	24-PS-R652H-S01-1
15	Surub imbus M8x35	Imbus head bolt M8x35	5	comert	15-PS-R652H-S03-1
16	Suport accesorii	Accessories support	1	M5,5-1.8.0	16-PS-R652H-S03-1
17	Surub M8x65	Bolt M8x65	3	comert	51-PS-R652H-S02-1
18	Piulita M8	Nut M8	3	comert	25-PS-R652H-S01-1
19	Surub M12x25	Bolt M12x25	1	comert	19-PS-R652H-S03-1
20	Garnitura cupru	Copper gasket	1	PSR550650-41	20-PS-R652H-S03-1
21	Zegher arbore Ø25	Outer snap ring Ø25	1	comert	18-PS-R652H-S01-1





MOTOSAPA PROFESIONALA R652H
PROFESSIONAL TILLER R652H

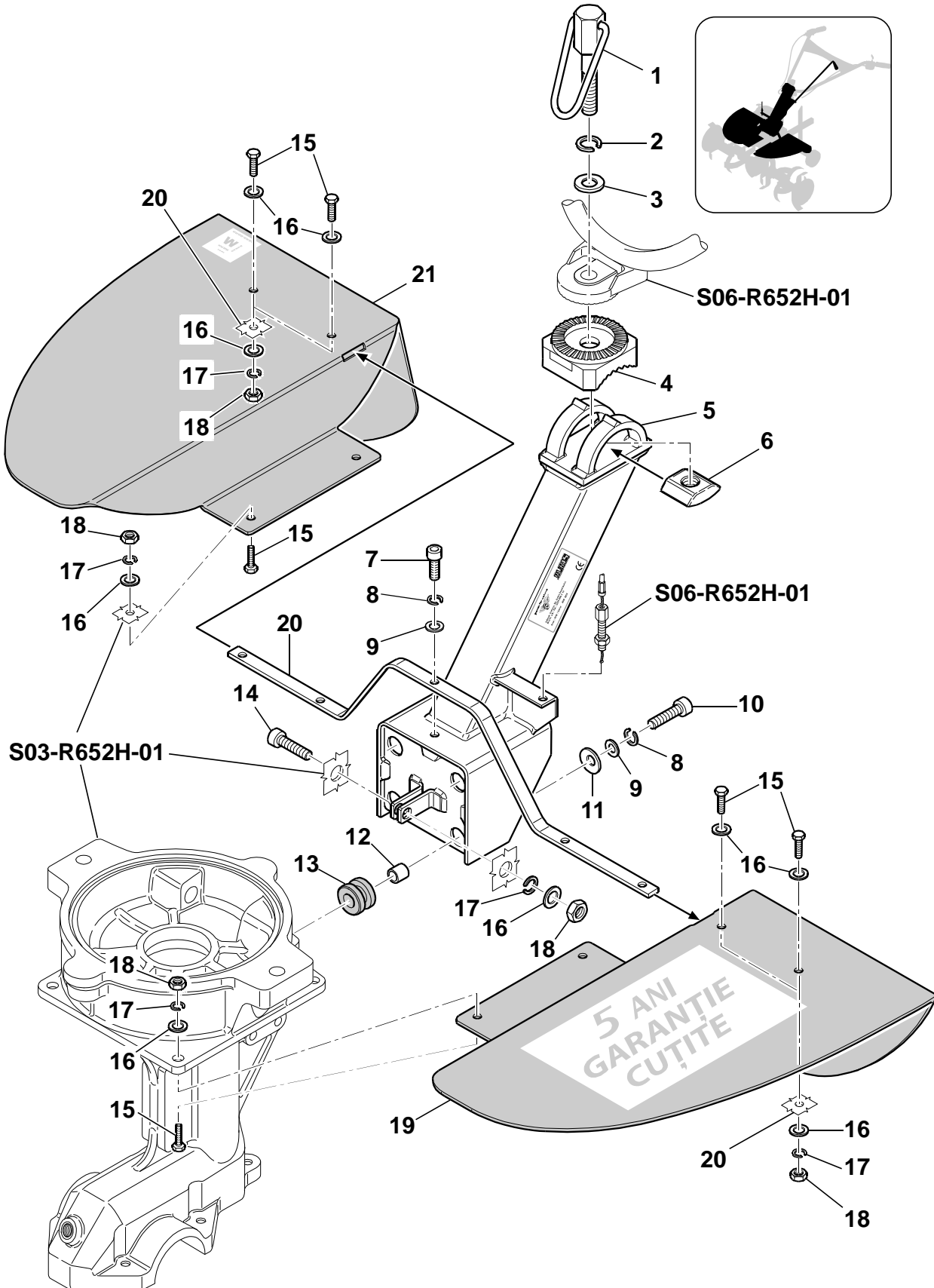
S04-R652H-01

**Ansamblu Freze
Soil-Mills Assembly**

**Cod / Code
8102652**

**Rev.01
2013**

Ref	Descriere	Description	Cant. Qty.	Cod intern Internal code	Cod piesa Part number
1	Disc protectie	Side protective disk	2	PSR550650-64	01-PS-R652H-S04-1
2	Pin blocaj Ø10	Lock pin Ø10	8	PSS550-80	02-PS-R652H-S04-1
3	Piulita M10	Nut M10	24	comert	26-PS-R652H-S02-1
4	Saiba Grower N10	Spring washer N10	24	comert	08-PS-R652H-S01-1
5	Surub M10x25	Bolt M10x25	24	comert	05-PS-R652H-S04-1
6	Flansa	Flange	6	PSS550-82	06-PS-R652H-S04-1
7	Cutit dreapta	Cutting arm-right	12	PSS550-61	07-PS-R652H-S04-1
8	Cutit stanga	Cutting arm-left	12	PSS550-62	08-PS-R652H-S04-1
9	Manicot fara guler	Support	4	PSS550-63	09-PS-R652H-S04-1
10	Manicot cu guler	Support	2	PSS550-63A	10-PS-R652H-S04-1
11	Ans. freze stanga	Left-Mills assembly	1	PSS550-83	11-PS-R652H-S04-1
12	Ans. freze dreapta	Right-Mills assembly	1	PSS550-84	12-PS-R652H-S04-1
13	Grup freze	Soil-mills group	1	PSS550-85	13-PS-R652H-S04-1





MOTOSAPA PROFESIONALA R652H
PROFESSIONAL TILLER R652H

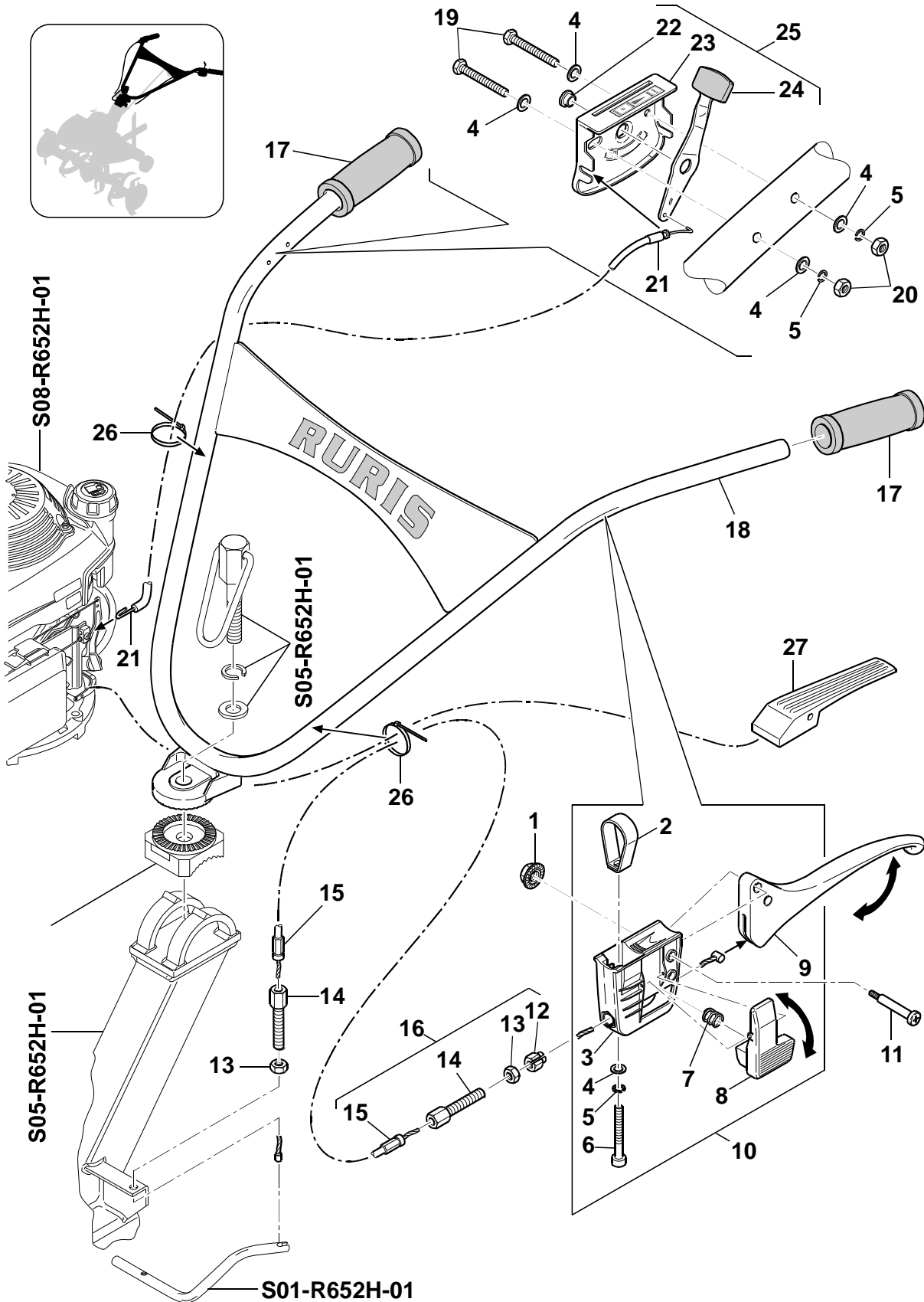
S05-R652H-01

Ans. Suport coarne + Aripa
Horns support + Wings

Cod / Code
8102652

Rev.01
2013

Ref	Descriere	Description	Cant. Qty.	Cod intern Internal code	Cod piesa Part number
1	Surub special M16	Special bolt M16	1	PSS550-37	01-PS-R652H-S05-1
2	Saiba Grower N16	Spring washer N16	1	comert	02-PS-R652H-S05-1
3	Saiba plata A16	Flat washer A16	1	comert	03-PS-R652H-S05-1
4	Piesa cuplare	Coupling part	1	PSS550-40	04-PS-R652H-S05-1
5	Suport coarne	Horns support	1	M6,5-4.0	05-PS-R652H-S05-1
6	Piulita speciala	Special nut	1	PSS550-41	06-PS-R652H-S05-1
7	Surub imbus M8x15	Imbus head bolt M8x15	1	comert	07-PS-R652H-S05-1
8	Saiba Grower N8	Spring washer N8	5	comert	24-PS-R652H-S01-1
9	Saiba plata A8	Flat washer A8	5	comert	23-PS-R652H-S01-1
10	Surub imbus M8x35	Imbus head bolt M8x35	4	comert	15-PS-R652H-S03-1
11	Saiba speciala	Special washer	4	PSR550650-62	11-PS-R652H-S05-1
12	Bucsa	Bush	4	PSR550650-64	12-PS-R652H-S05-1
13	Amortizor	Shock-absorber	4	PSR550650-63	13-PS-R652H-S05-1
14	Surub M6x65	Bolt M6x65	1	comert	14-PS-R652H-S05-1
15	Surub M6x20	Bolt M6x20	8	comert	13-PS-R652H-S01-1
16	Saiba plata A6	Flat washer A6	13	comert	15-PS-R652H-S01-1
17	Saiba Grower N6	Spring washer N6	13	comert	14-PS-R652H-S01-1
18	Piulita M6	Nut M6	9	comert	18-PS-R652H-S05-1
19	Aripa stanga	Left wing	1	PSR550650-65	19-PS-R652H-S05-1
20	Bara sustinere	Sustaining bar	1	PSR550650-57	20-PS-R652H-S05-1
21	Aripa dreapta	Right wing	1	PSR550650-65A	21-PS-R652H-S05-1





MOTOSAPA PROFESIONALĂ R652H
PROFESSIONAL TILLER R652H

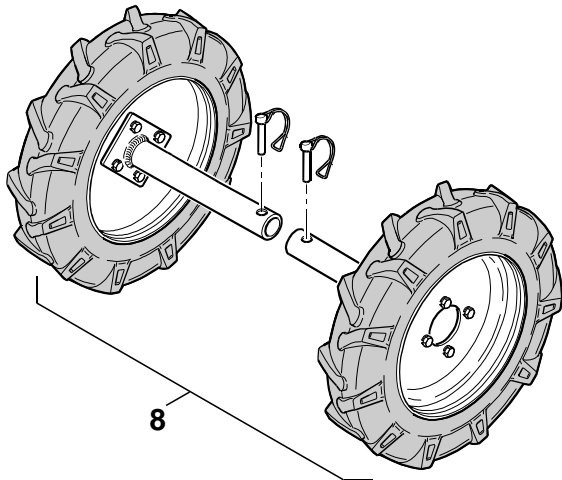
S06-R652H-01

**Ansamblu Coarne
Horns Assembly**

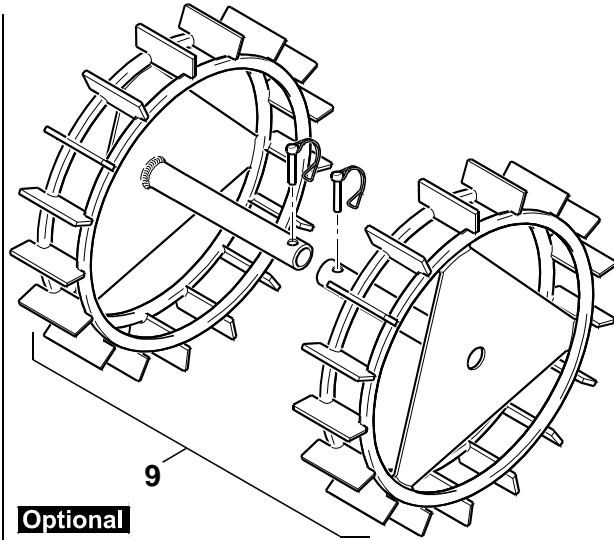
**Cod / Code
8102652**

**Rev.01
2013**

Ref	Descriere	Description	Cant. Qty.	Cod intern Internal code	Cod piesa Part number
1	Piulita cu flansa M5	Serrated flange nut M5	1	comert	01-PS-R652H-S06-1
2	Colier fixare	Fixing ring	1	comert	02-PS-R652H-S06-1
3	Corp maneta	Lever body	1	PSS550-84	03-PS-R652H-S06-1
4	Saiba plata A5	Flat washer A5	5	comert	04-PS-R652H-S06-1
5	Saiba Grower N5	Spring washer N5	3	comert	05-PS-R652H-S06-1
6	Surub imbus M5x35	Imbus head bolt M5x35	1	comert	06-PS-R652H-S06-1
7	Arc	Spring	1	PSS550-88	07-PS-R652H-S06-1
8	Buton blocaj pozitie	Lock-position button	1	PSS550-89	08-PS-R652H-S06-1
9	Maneta	Lever	1	PSS550-90	09-PS-R652H-S06-1
10	Grup maneta ambreiaj	Clutch lever-group	1	PSR550650-49	10-PS-R652H-S06-1
11	Surub special M5	Special bolt M5	1	PSS550-91	11-PS-R652H-S06-1
12	Piulita speciala M8	Special nut M8	1	colaborare	12-PS-R652H-S06-1
13	Piulita M8	Nut M8	2	comert	25-PS-R652H-S01-1
14	Reductie M8	Reduction M8	2	PSS550-92	14-PS-R652H-S06-1
15	Cablu ambreiaj	Clutch cable	1	PSS550-93	15-PS-R652H-S06-1
16	Grup cablu ambreiaj	Clutch cable group	1	PSS550-36	16-PS-R652H-S06-1
17	Manson	Grip handle	2	PSS550-67	17-PS-R652H-S06-1
18	Coarne sudate	Welded horns	1	PSR550650-51	18-PS-R652H-S06-1
19	Surub M5x50	Bolt M5x50	2	comert	19-PS-R652H-S06-1
20	Piulita M5	Nut M5	2	comert	20-PS-R652H-S06-1
21	Cablu acceleratie	Throttle cable	1	PSR550650-47	21-PS-R652H-S06-1
22	Bucsa	Bush	1	PSS550-94	22-PS-R652H-S06-1
23	Suport maneta	Lever support	1	PSS550-95	23-PS-R652H-S06-1
24	Maneta	Lever	1	PSS550-96	24-PS-R652H-S06-1
25	Grup maneta acceleratie	Throttle lever group	1	PSS550-32	25-PS-R652H-S06-1
26	Colier fixare	Fixing ring	2	PSS550-97	26-PS-R652H-S06-1
27	Maneta MOTOR STOP	ENGINE STOP lever	1	PSS550-98	27-PS-R652H-S06-1

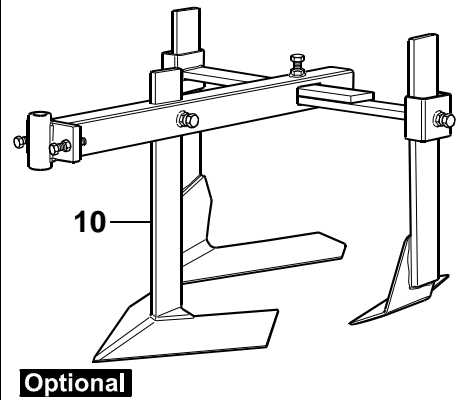
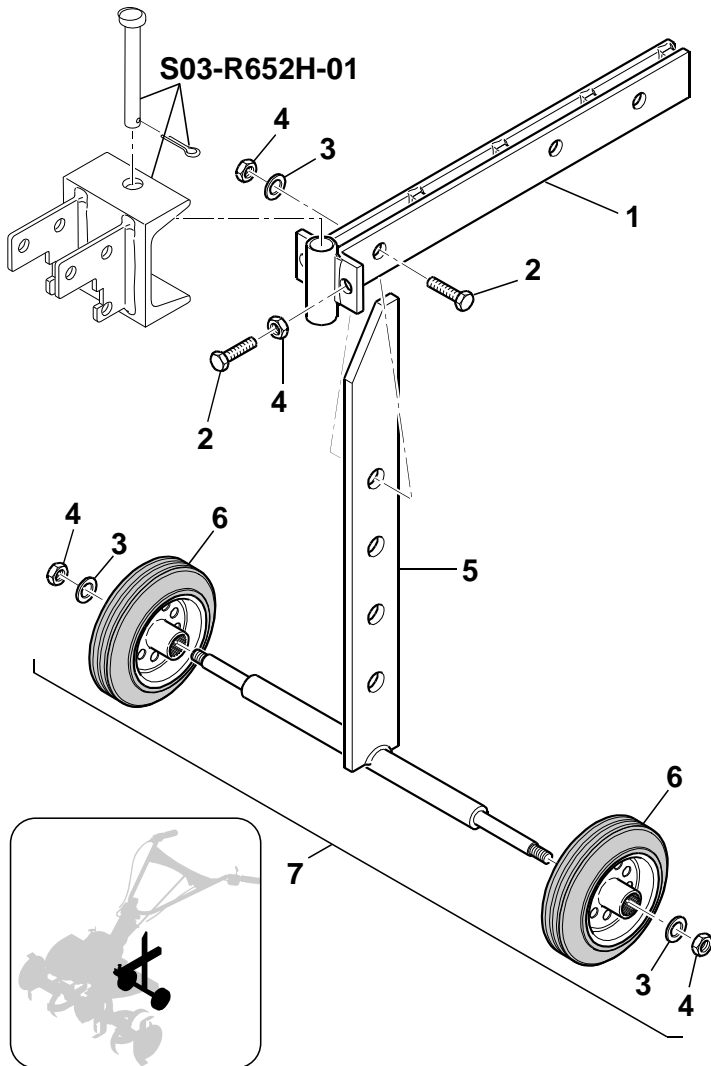


Optional

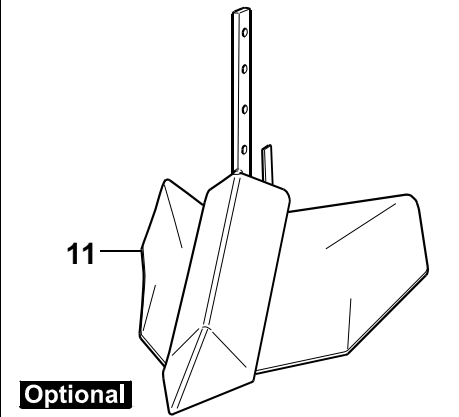


Optional

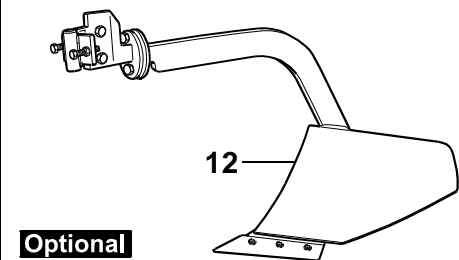
Standard



Optional



Optional



Optional



MOTOSAPA PROFESIONALA R652H
PROFESSIONAL TILLER R652H

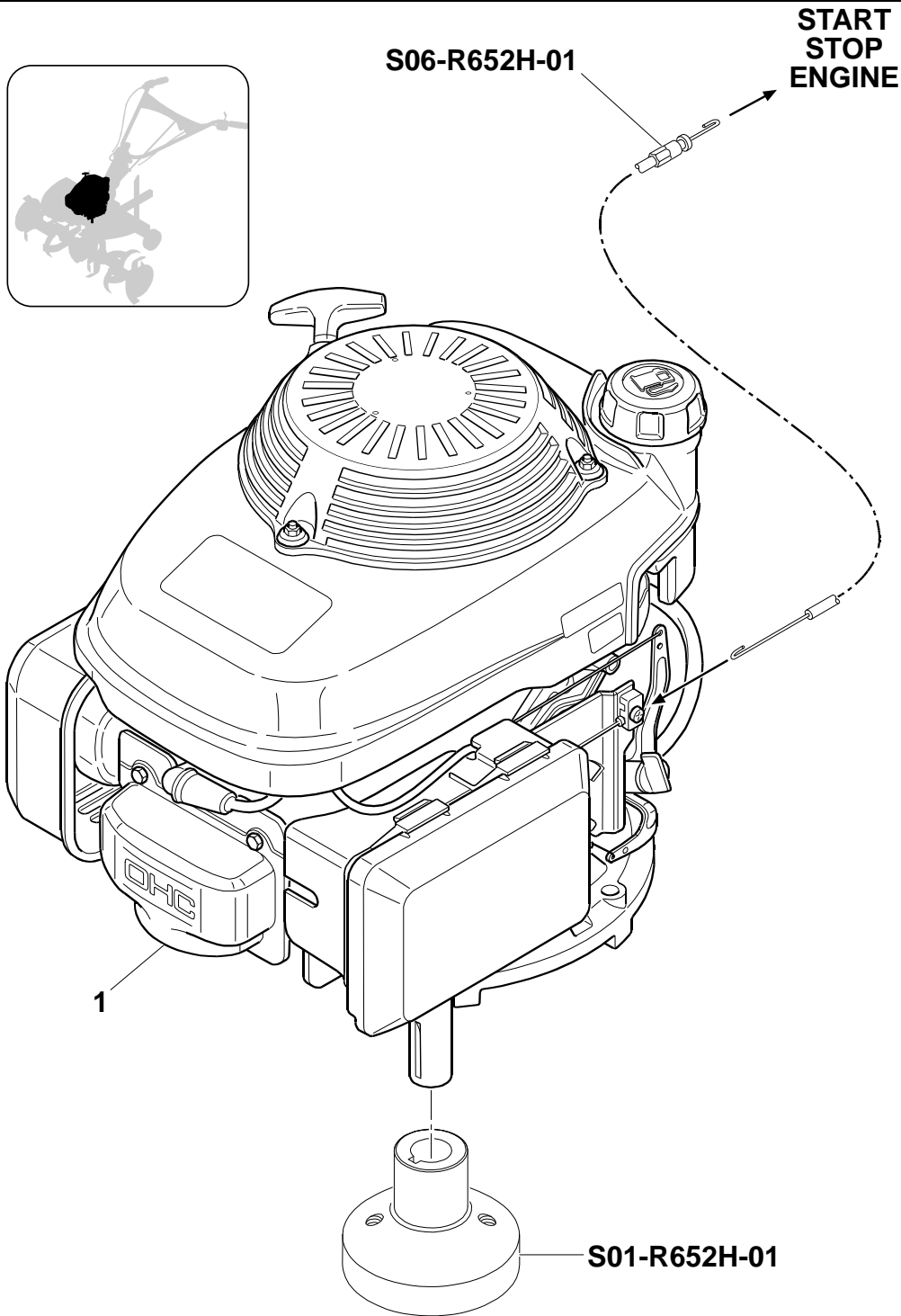
S07-R652H-01

Accesorii
Accessories

Cod / Code
8102652

Rev.01
2013

Ref	Descriere	Description	Cant. Qty.	Cod intern Internal code	Cod piesa Part number
1	Brat-Suport	Arm-Support	1	M5,5-14.0	01-PS-R652H-S07-1
2	Surub M10x40	Bolt M10x40	3	comert	02-PS-R652H-S07-1
3	Saiba plata A10	Flat washer A10	3	comert	28-PS-R652H-S02-1
4	Piulita autoblocare M10	Self-block nut M10	5	comert	26-PS-R652H-S02-1
5	Cadru carucior	Cart frame	1	colaborare	05-PS-R652H-S07-1
6	Roata	Wheel	2	colaborare	06-PS-R652H-S07-1
7	Grup carucior	Cart-group	1	colaborare	07-PS-R652H-S07-1
8	Grup roti cauciuc	Rubber wheels-group	1	colaborare	08-PS-R652H-S07-1
9	Grup roti metalice	Metallic wheels-gropu	1	RM550-0	09-PS-R652H-S07-1
10	Cultivator	Cultivator	1	C1-0	10-PS-R652H-S07-1
11	Rarita	Butting plow	1	RA-0	11-PS-R652H-S07-1
12	Plug cu o brazda	1-furrow Plow	1	P1-0	12-PS-R652H-S07-1



Ref	Descriere	Description	Cant. Qty.	Cod intern Internal code	Cod piesa Part number
1	Motor Honda 4 timpi 6,5CP	Honda engine 4-stroke 6,5HP	1	Honda GCV190	01-PS-R652H-S08-1



RURIS IMPEX S.R.L.

Calea Severinului, bl. 317 b, parter

Craiova, Dolj

Tel.: 0351 46 46 32

Fax: 0351 46 46 33

Email: service@ruris.ro

www.ruris.ro